



Multifuel &  
Woodburning Stoves



# Multifuel & Woodburning Stoves

There is nothing more relaxing or comforting than the warm, welcoming glow of a real fire.

Broseley Fires is a family-run company with more than 30 years' experience in designing, developing and manufacturing home heating appliances. Our dedicated technical and design team has a passion for creating stoves which combine tradition and elegance with efficiency.

Broseley Fires has become a household name in the stove industry, manufacturing a range of multifuel, woodburning, gas and electrical stoves, as well as distributing pellet boilers and range cookers.



It is essential that you obtain the services of a heating engineer to calculate the heat demand you require before choosing your appliance.

## Key To Symbols



Dimensions



Weight



Colour



kW Output



Efficiency



Flue Diameter



Output to Room kW



Output to Water kW



# York Petite & Midi

## Cast Iron Multifuel Stoves

The York Midi and Petite stove are the smallest traditional stoves in our range. Although our smallest appliances, these products still offer primary and secondary air control, with a preheated airwash system. These products are also available in electric and gas versions.

- Cast iron construction
- High efficiency
- Primary & secondary air controls
- Optional top and rear outlet
- Pre-heated air-wash coupled with primary air features
- Cast Iron fire bricks and baffle
- Alternative door designs available



	York Petite	York Midi
--	-------------	-----------

	442w 579h 300d	442w 579h 442d
	70	100
	Metallic Black	Metallic Black
	3	5
	81	76.6
	125mm (5")	125mm (5")





# Serrano 3&5

## Cast Iron Multifuel Stoves

The Serrano 3 and 5 stoves are manufactured from traditional and robust cast iron but with a sleek contemporary styling and finish. The stoves are available in either a 3kw or 5kw output, which makes them suitable for most living spaces. With large viewing windows and easily controlled primary and preheated air wash, not only are these stoves beautiful but practical too.

- Cast iron construction
- High efficiency
- Primary & secondary air controls
- Optional top and rear outlet
- Pre-heated air-wash coupled with primary air features
- Cast Iron fire bricks and baffle



Serrano 3

Serrano 5

	430w 540h 325d	430w 540h 460d
	100	120
	Metallic Black	Metallic Black
	3	5
	81	76.6
	125mm (5")	125mm (5")






# Serrano 7

## Cast Iron Multifuel Stove

The Serrano 7 stove is manufactured from traditional and robust cast iron but with a sleek contemporary styling and finish. The Serrano 7 with it's larger output is suitable for larger living spaces. With large viewing windows and easily controlled primary and preheated air wash, not only is the stove beautiful but practical too.

- Cast iron construction
- High efficiency
- Primary & secondary air controls
- Optional top and rear outlet
- Pre-heated air-wash coupled with primary air features
- Cast Iron fire bricks and baffle



 600w 540h 460d

 160

 Metallic Black

 7

 76.3

 125mm (5")






# Salisbury

## Cast Iron Multifuel Stove

Its classical lines are complemented by its large viewing window and stylishly concealed air lever controls. The Salisbury retains a traditional look but with a contemporary edge. It also boasts a highly controllable internal combustion chamber ensuring fuels are burnt extremely cleanly.

- Cast iron construction
- High efficiency
- Primary & secondary air controls
- Optional top and rear outlet
- Cast Iron fire bricks and baffle
- Air controls hidden beneath ash lip



 445w 600h 325d

 100

 Metallic Black

 8.7

 78

 125mm (5")






# Winchester

## Cast Iron Multifuel Stove

The Winchester incorporates unique side viewing windows so the beauty and warmth of the fire can be seen and felt from all aspects of your living room. Incorporating highly controllable primary and secondary air wash features together with a large firebox to accommodate larger logs. This appliance is also available in gas and slim line electric models.

- Cast iron construction
- High efficiency
- Primary & secondary air controls
- Optional top and rear outlet
- Triple aspect viewing window
- Cast Iron fire bricks and baffle
- Opening/closing grate for multifuel burning



 600w 605h 520d

 116

 Metallic Black

 8.7

 83

 125mm (5")





# Verona 8

## Cast Iron Woodburning Stove

Designed and manufactured using the latest Disamatic casting technology and manufactured to the highest EU standards, the Woodburning Verona is not only extremely robust and dependable but a stylish addition to any room. Finished with a superb satin enamel finish, the Verona combines the best in Italian design with outstanding modern heating efficiency.

- High Quality cast iron manufacture
- Primary & secondary air control
- Optional top and rear outlet
- Riddling grate
- High efficiency



 490w 706h 430d

 105

 Charcoal

 8

 78.3

 125mm (5")






# Verona 11

## Cast Iron Woodburning Stove

Designed and manufactured using the latest Disamatic casting technology and manufactured to the highest EU standards, the Woodburning Verona is not only extremely robust and dependable but a stylish addition to any room. Finished with a superb satin enamel finish the Verona combines the best in Italian design with outstanding modern heating efficiency. The Verona 11 also has the option of a hot plate cooking surface to offer extra functionality from your stove.

- Thermostatic Control
- Riddling Grate
- Front and Side Loading Door
- Optional Cooking Top
- High Quality Cast Iron Manufacture



 660w 706h 450d  
Without Hot Plate

 150

 Charcoal

 11

 78

 150mm (6")





# Verona 16

## Cast Iron Woodburning Stove

The Verona 16 is the largest of the Verona stove range. Designed and manufactured using the latest Disamatic casting technology and manufactured to the highest EU standards, the Woodburning Verona is not only extremely robust and dependable but a stylish addition to any room. Finished with a superb satin enamel finish the Verona combines the best in Italian design with outstanding modern heating efficiency. The Verona 16 also has the option of a hot plate cooking surface to offer extra functionality from your stove. A boiler version of this stove is also available.

- Thermostatic Control
- Riddling Grate
- Front and Side Loading Door
- Optional Cooking Top
- High Quality Cast Iron Manufacture
- Boiler version available



**mm** 790w 780h 520d  
Without Hot Plate

**kg** 190

**Charcoal**

**kW** 16

**%** 83

**150mm (6")**

Boiler Output

**kW** 6.5

**8.5**





# Hercules 12,20 &30

## Cast Iron Multifuel Boiler Stove

The Hercules Range of Stoves are powerful, robust and capable of performing the most demanding tasks. The Hercules Range have been designed to harness all the extra available heat and use it to power home central heating and hot water systems. There are three sizes of boiler model to choose from 12, 20 or 30kw.

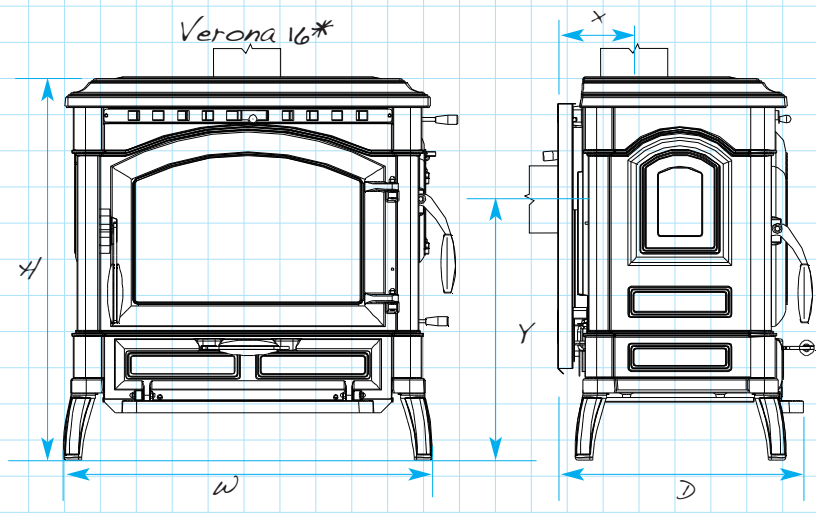
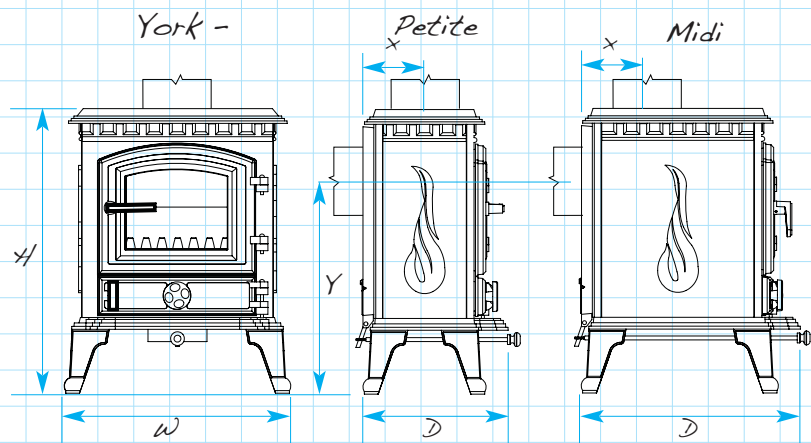
- Primary air control and secondary air wash feature
- Tertiary Air - for cleaner burn and higher efficiency
- Riddling Grate
- Cast iron fire bricks and baffle
- Can be simply dismantled for ease of installation
- Cast Iron Construction
- Steel wrap around boiler available in three outputs

	12B	20B	30B
	747w 768h 440d	747w 768h 510d	747w 768h 620d
	201	225	252
	Metallic Black	Metallic Black	Metallic Black
	12	20	30
	73	75	75.4
	203mm (8")	203mm (8")	203mm (8")
	4	5.5	8
	8	14.5	22
			
			
			

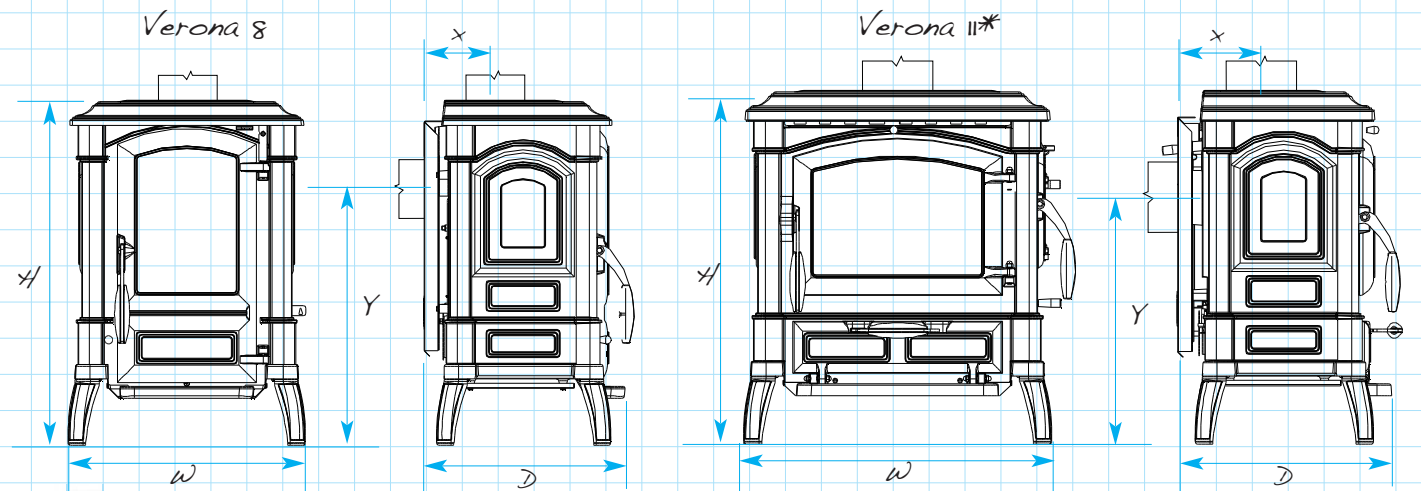
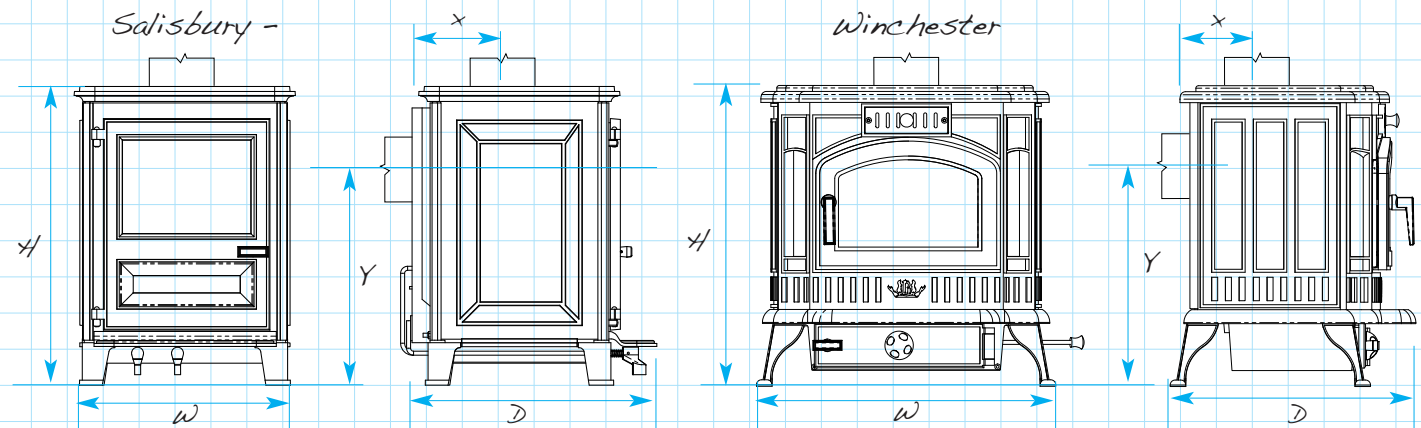
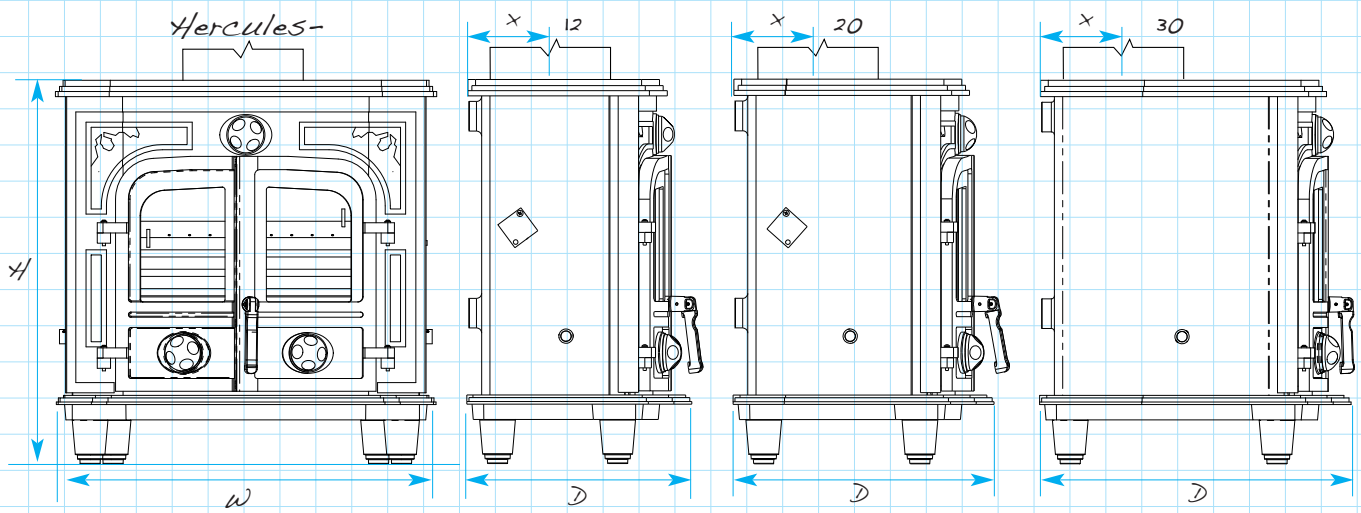
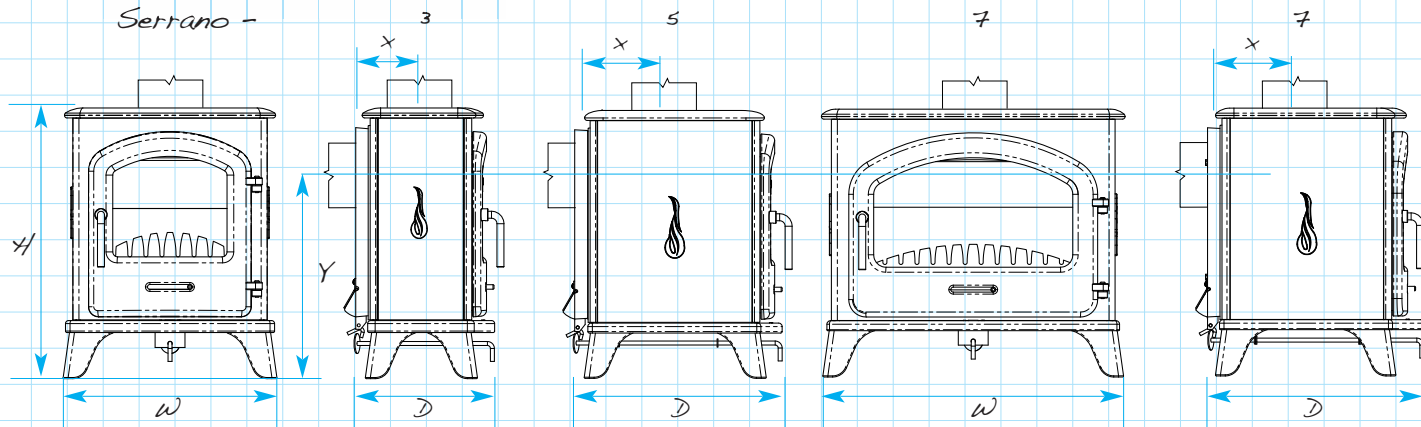




# Measurements



\* Verona 11 & 16  
When specifying the optional cooking top, the top flue option is unavailable.



Page	Name	Width	Height	Depth	Flue Dia.	X	Y
3	York Petite	442	579	300	125 (5")	130	470
3	York Midi	442	579	442	125 (5")	130	470
5	Serrano 3	430	540	325	125 (5")	120	440
5	Serrano 5	430	540	460	125 (5")	125	440
7	Serrano 7	600	540	460	125 (5")	150	440
9	Salisbury	445	600	490	125 (5")	170	440
11	Winchester	600	605	520	125 (5")	140	450
13	Verona 8	490	706	430	125 (5")	145	580
15	Verona 11	660	706	450	150 (6")	155	520
17	Verona 16	790	780	520	150 (6")	155	590
19	Hercules 12	747	768	440	203 (8")	160	-
19	Hercules 20	747	768	510	203 (8")	160	-
19	Hercules 30	747	768	620	203 (8")	160	-

All dimensions are in millimeters





**Broseley Fires Limited**  
Knights Way, Battlefield Enterprise Park  
Shrewsbury SY1 3AB  
Telephone: +44 (0) 1743 461 444  
Fax: +44 (0) 1743 461 446

[www.broseleyfires.com](http://www.broseleyfires.com)  
[www.broseleybiomass.com](http://www.broseleybiomass.com)



MWB09C